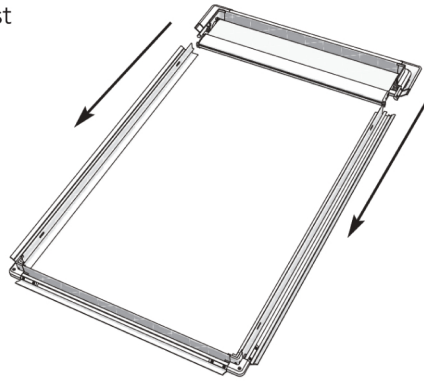
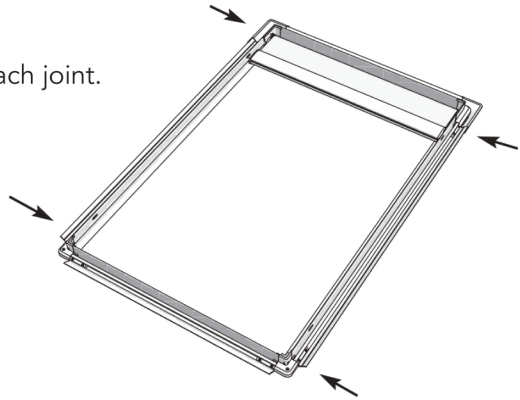


direct orderblinds

Slide top of curved section into the rest of the frame, ensuring that end caps are located into the side channel.



Fix securely with the two screws on each joint.



Securing Bottom Bar

Fix one side in position at a slight angle then place the opposite side into position. Please ensure that the bottom bar sits behind the grooving.

